

# Data Sheet

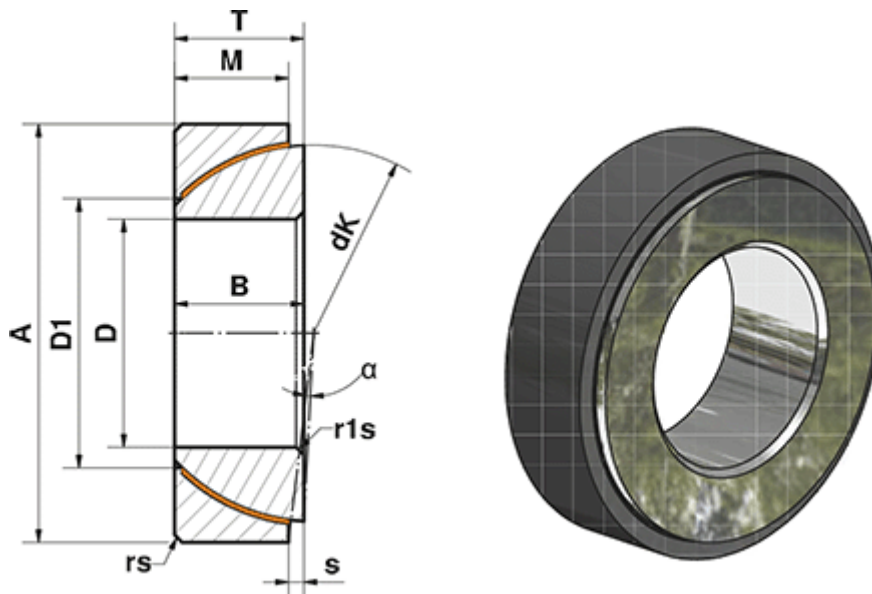


Article number: 03449080

Description: Fluro Heavy Duty Spherical Plain Bearing GE 80 SWE  
Hole Ø80

Note: 80

## Measures



A	= 125	rs, r1s min	= 1.1
a (degrees)	= 3.5	S	= 8.6
B	= 29	Static load C0 (kN)	= 1184
D	= 80	T	= 29
D1	= 91.6	Weight (g)	= 1540
dK	= 115		
Dynamic load C (kN)	= 711		
M	= 25.8		